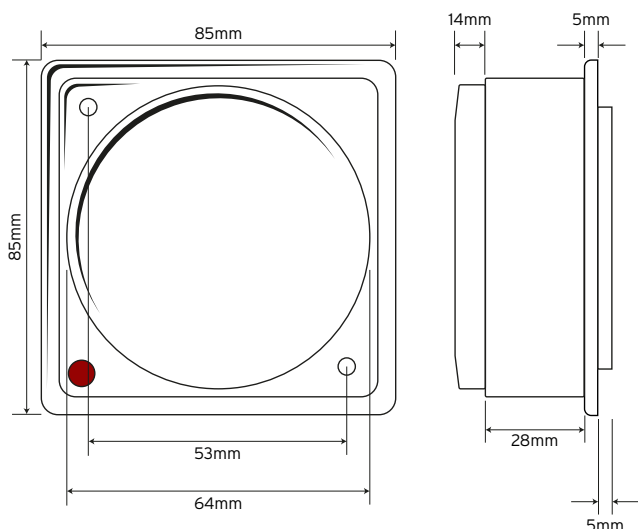




GPT24MF 24 Hour Mechanical Wall Mounted Timer

Mechanical, immersion heater compatible, 24 hr-15 minute tappets. 16 (6)A. Single back box mounting centres.

Technical Drawing



Technical Specifications

Supply Voltage	230/240V ~ 50Hz
Switching Rating	16A Resistive / 6A Inductive
Switching Operations	96 per 24 hours at 15 minute intervals
Ambient Temperature	-10 °C to 50 °C

Features

24 Hour Single Channel Mechanical Timer
Easy Programming
Time Clock Override Switch